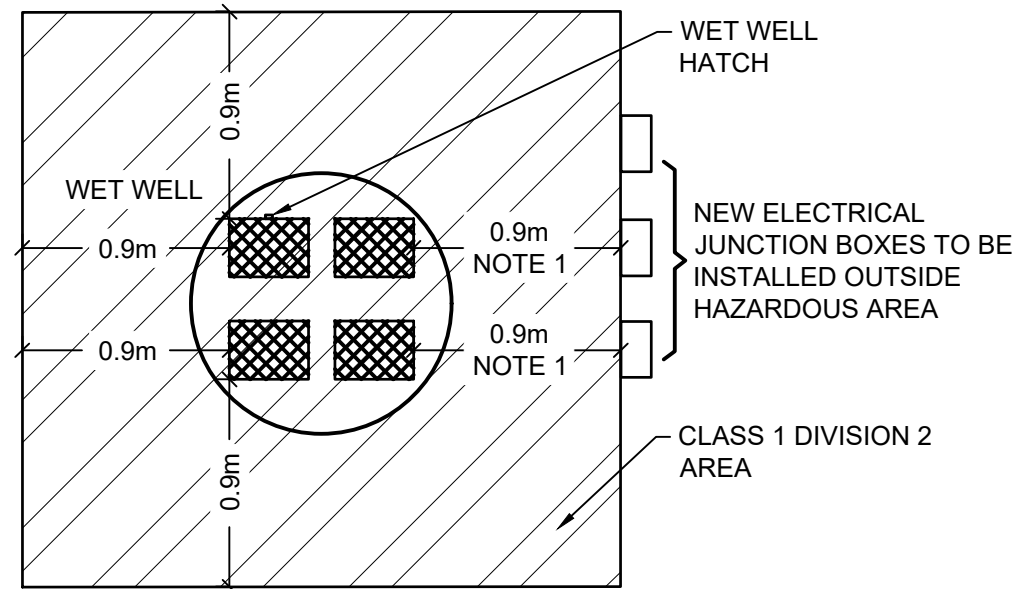


TOP VIEW

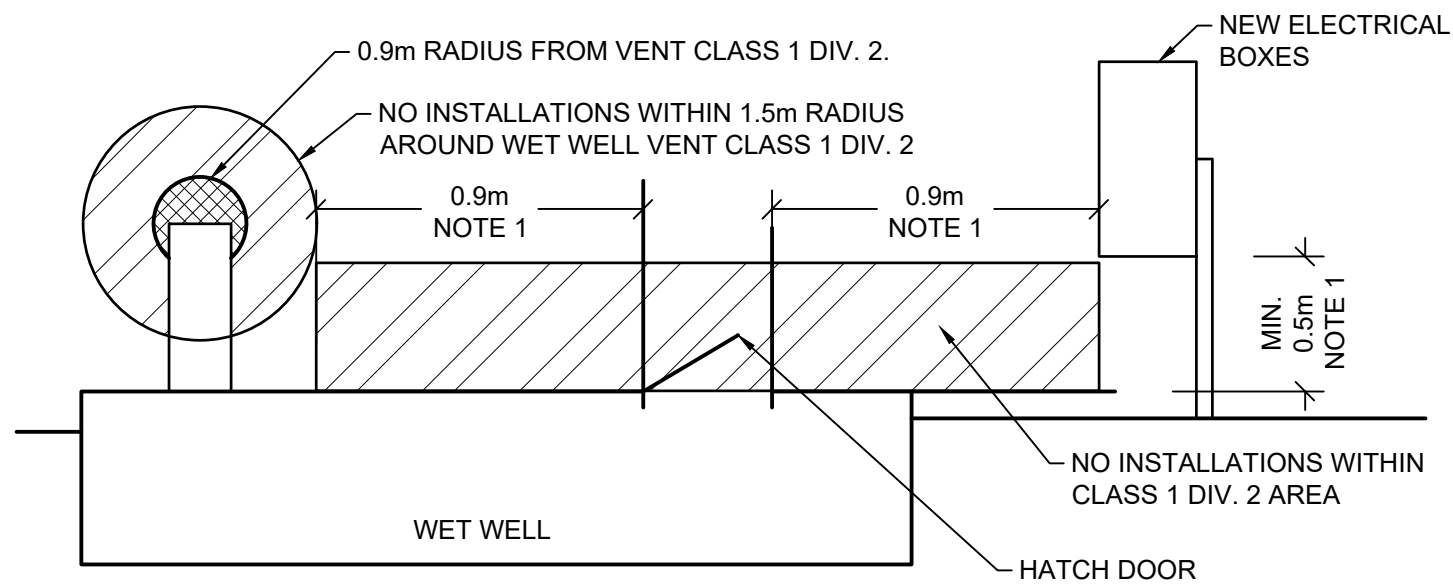


NOTES:

1. ALL ELECTRICAL JUNCTION BOXES TO BE INSTALLED OUTSIDE OF THE HAZARDOUS AREA AS SHOWN. INSTALLATION LOCATION TO BE MINIMUM 0.9m AWAY FROM EDGE OF WET WELL HATCH.

JUNCTION BOX INSTALLATION LOCATION

SIDE VIEW

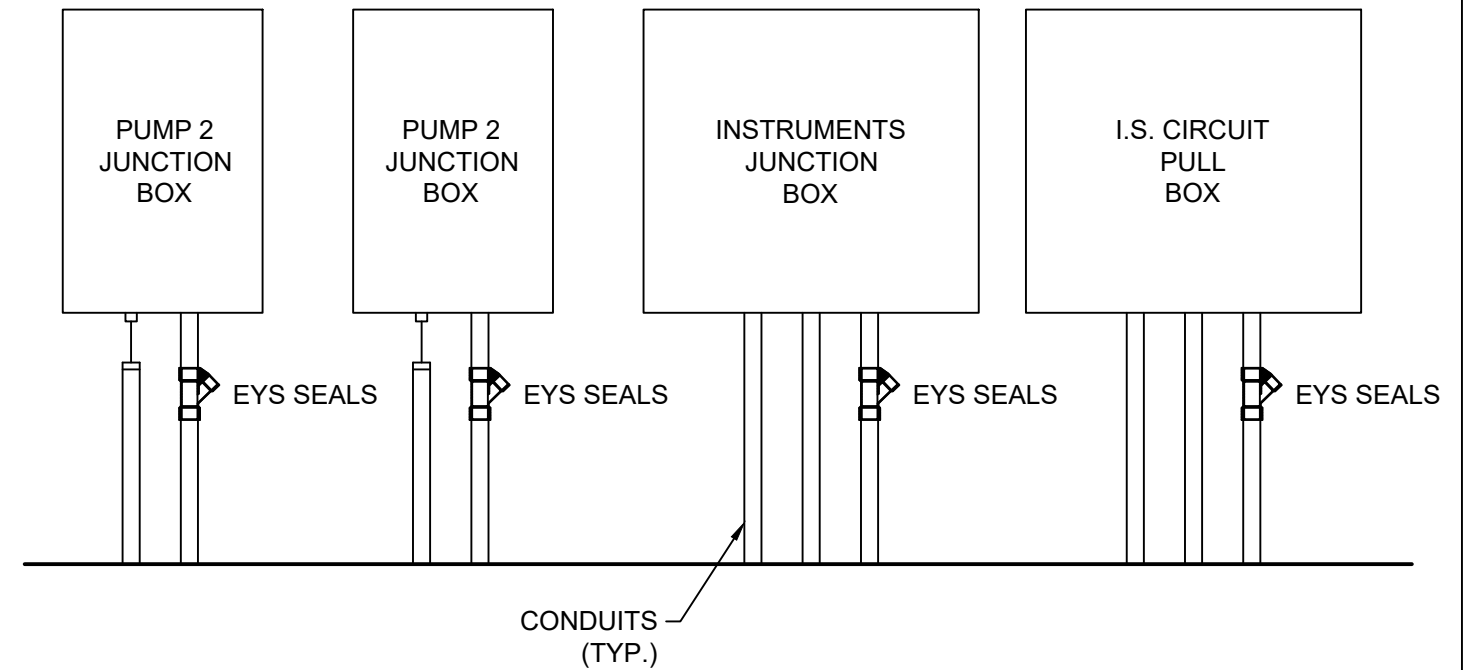


NOTES:

1. ALL ELECTRICAL JUNCTION BOXES TO BE INSTALLED OUTSIDE OF THE HAZARDOUS AREA AS SHOWN. INSTALLATION LOCATION TO BE MINIMUM 0.9m AWAY FROM EDGE OF WET WELL HATCH.

JUNCTION BOX INSTALLATION LOCATION

EXTERIOR LAYOUT



NOTES:

1. A DEDICATED JUNCTION BOX SHALL BE PROVIDED FOR EACH PUMP.
2. ALL JUNCTION BOXES ARE TO BE NEMA 4X RATED AND PAD LOCKABLE.
3. INSTRUMENTATION JUNCTION BOX SHOULD BE USED AS FOLLOWS:
  - a. HYDROSTATIC JUNCTION BOX IS TO BE INSTALLED WITH IN THIS JUNCTION BOX.
  - b. ALL LEVEL SENSOR CABLES ARE TO ENTER THE INSTRUMENT JUNCTION BOX.
  - c. LEVEL SENSOR CABLES CARRYING 4-20mA WITH HARTS SHOULD BE TERMINATED TO TERMINAL BLOCKS IN THE JUNCTION BOX.
4. INTRINSICALLY SAFE (I.S.) SIGNALS PULL BOX:
  - d. ALL FLOAT CABLES MUST PASS THROUGH THIS JUNCTION BOX WITH NO SPLICING.
  - e. HATCH DOOR CONTACTS WHEN APPLICATION MUST PASS THROUGH THIS JUNCTION BOX WITH NO SPLICING.
5. NUMBER OF CONDUIT ENTERING OR EXISTING EACH JUNCTION BOX IS TO BE ADJUSTED PER APPLICATION.
6. IN PUMP JUNCTION BOXES, PROVIDE TERMINAL BLOCKS FOR TERMINATION OF ALL SIGNALS AND WIRING. NO FIELD DISCONNECT IS REQUIRED IN THE LOCAL JUNCTION BOXES.
7. IN APPLICATIONS WHERE THERE ARE NO CONTROL BUILDING, AN EXTERIOR ENCLOSURE IS TO BE PROVIDED TO HOUSE THE PLC CONTROL PANEL AND VARIOUS STARTER PANELS REQUIRED, ALL DISCONNECTS ARE TO BE LOCATED IN THAT EXTERIOR ENCLOSURE. LOCAL JUNCTION BOXES SHALL NOT BE USED FOR CONTROL OF THE EQUIPMENT.

JUNCTION BOX ARRANGEMENT



PUBLIC WORKS  
STANDARD DRAWING

REV. DATE: JULY 2021

APPROVED BY  
MM

DRAWN BY  
ERAMOSA

JUNCTION BOX  
INSTALLATION DETAILS

STD. DWG. NUMBER  
SPS-212

SCALE  
Not to Scale