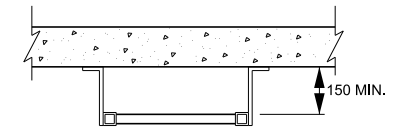
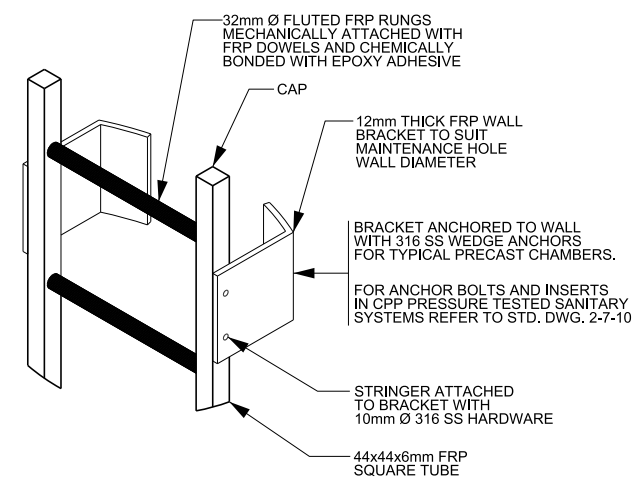


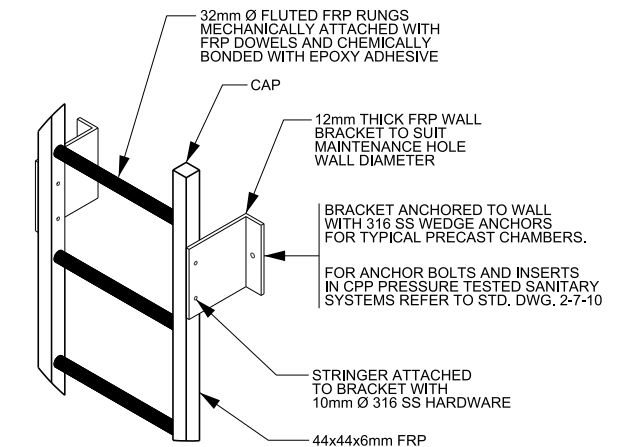
**TYPICAL PLAN
CIRCULAR CHAMBER WALL**



**TYPICAL PLAN
RECTANGULAR CHAMBER WALL**



**TYPICAL BRACKET
CIRCULAR CHAMBER WALL**



**TYPICAL BRACKET
RECTANGULAR CHAMBER WALL**

- NOTE**
- REFER TO STANDARD DRAWING 2-5-1, 2-7-1 AND 2-8-1 FOR GENERAL NOTES PERTAINING TO PRECAST OR CPP MAINTENANCE HOLES.
 - ALL BOLTS, NUTS AND WASHERS SHALL BE 316 STAINLESS STEEL UNLESS OTHERWISE INDICATED BY PROJECT DESIGN.
 - ALL FRP BRACKETS SHALL BE MANUFACTURED IN ACCORDANCE WITH CAN/CGSB 41.22-93.
 - SUBMIT SHOP DRAWINGS TO THE CONTRACT ADMINISTRATOR FOR REVIEW AND COMMENT. ALL DRAWINGS SHALL BEAR THE SIGNATURE AND SEAL OF A PROFESSIONAL ENGINEER LICENSED TO PRACTISE IN ONTARIO.
 - ALL LADDER RUNGS TO BE PROVIDED WITH SLIP RESISTANT SURFACE.
 - LADDERS TO BE USED IN NEW CONSTRUCTION (FRP TYPICAL), FOR REHABILITATION, IF 25% OR MORE OF EXISTING STEPS NEED TO BE REPLACED, THEN REMAINING STEPS SHALL BE PROPERLY REMOVED AND REPLACED WITH LADDER (FRP TYPICAL).
 - LADDER SECTIONS MAY BE FIELD INSTALLED OR FACTORY INSTALLED AS PER MANUFACTURER'S SPECIFICATIONS.
 - ANCHORING IN AWWA C30X SERIES (CPP) RISER OR BASE SECTIONS SHALL UTILIZE FACTORY INSTALLED INSERTS PROVIDED DURING PIPE MANUFACTURING UNLESS OTHERWISE INDICATED BY AGENCY AS PER PROJECT SPECIFIC DESIGN. FIELD INSTALLED ANCHORS SHALL ONLY BE PERMITTED WITH APPROVAL BY AGENCY, SHALL NOT PENETRATE THE STEEL CYLINDER, AND SHALL MEET ALL LOAD REQUIREMENTS AS PER PIPE, LADDER, AND PLATFORM MANUFACTURER.
 - ANCHOR INSERTS IN PRECAST TO BE FIELD OR FACTORY INSTALLED WHERE APPLICABLE, AS PER DESIGN REQUIREMENTS.

NOTE: FRP PRODUCTS TO BE PROVIDED BY ACCESS INDUSTRIAL OF MISSISSAUGA (OR APPROVED EQUAL)

NEW CONSTRUCTION		REHABILITATION	
FULL EXCAVATION	PARTIAL EXCAVATION	NO EXCAVATION	
INTERNAL		EXTERNAL	
ROW	FLOOD PLAIN	EASEMENT	
I/I	H2S	SECURITY	



**PUBLIC WORKS
STANDARD DRAWING**

**MAINTENANCE HOLE APPURTENANCES
FRP LADDER DETAILS (TYPICAL)**

REV. DATE: AUGUST 2020

REVISION NUMBER: 2 FOR REVISION TRACKING REFER TO STD. DWG. 2-0-2

APPROVED BY: A.P. DRAWN BY: AINLEY GROUP

STD. DWG. NUMBER: 2-6-9 SCALE: N.T.S.