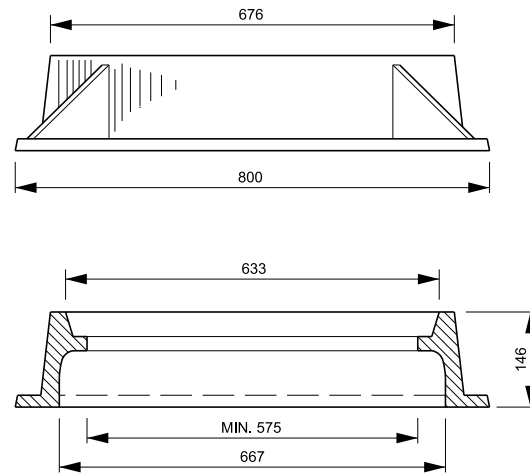
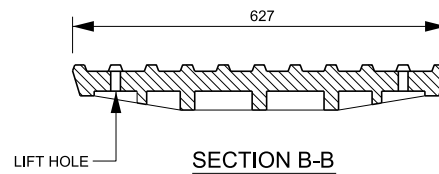


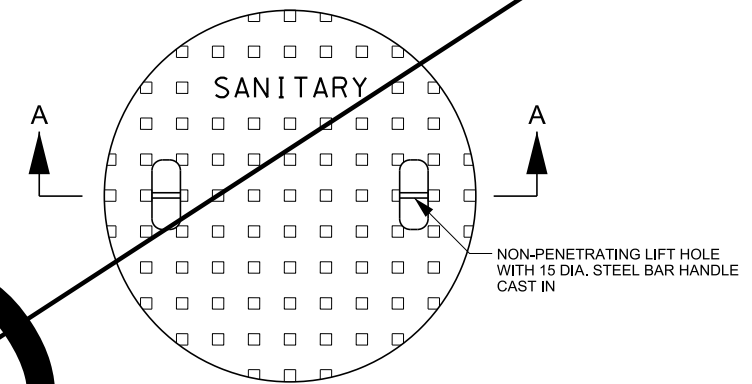
FRAME



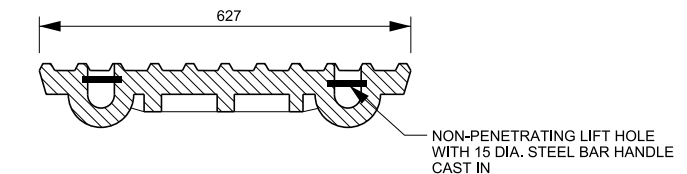
SECTION A-A



SECTION B-B

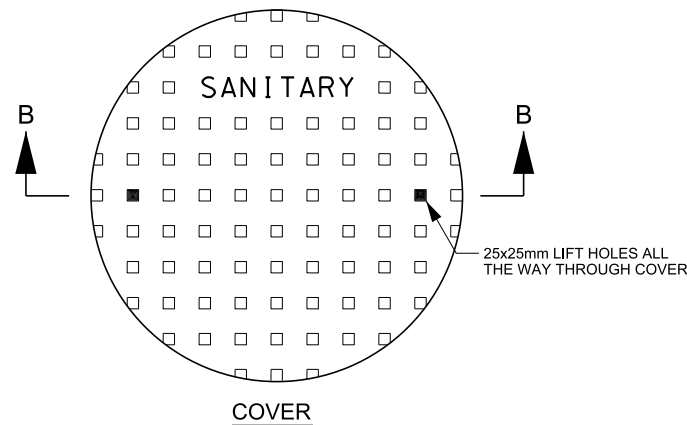


COVER



SECTION A-A

COVER OPTION WITH NON-PENETRATING LIFT HOLES



COVER

COVER OPTION WITH PENETRATING LIFT HOLES

DELETED  
NO LONGER PERMITTED  
(REFER TO 2-6-2)

NOTE:  
COVER GASKETS TO BE PROVIDED AS PER PROJECT DESIGN

NOTE:  
SANITARY MAINTENANCE HOLE FRAME AND COVERS TO HAVE INFLOW REDUCTION DISHES c/w GASKETS IF LOCATED IN LOW POINT, ROAD SAG, OR IN OVERLAND FLOW ROUTE, AS PER PROJECT DESIGN. WATERTIGHT FRAME AND COVER CAN BE SPECIFIED BY PROJECT ENGINEER.

THIS FRAME AND COVER SYSTEM IS INTENDED FOR INSTALLATION WITHIN THE R.O.W.

NEW CONSTRUCTION		REHABILITATION	
FULL EXCAVATION	PARTIAL EXCAVATION	NO EXCAVATION	
INTERNAL		EXTERNAL	
ROW	FLOOD PLAIN	EASEMENT	
I/I	H2S	SECURITY	

- NOTE
- REFER TO STANDARD DRAWING 2-5-1, 2-7-1 AND 2-8-1 FOR GENERAL NOTES PERTAINING TO PRECAST MAINTENANCE HOLES.
  - THE WORD "SANITARY" TO BE CAST INTO COVER WITH 50mm LETTERS.
  - COVER PATTERN AS PER CANRON 579 UNPERFORATED OR SIMILAR.
  - FRAME TO BE ATTACHED DIRECTLY TO PRECAST MAINTENANCE HOLE TOP. REFER TO STANDARD DRAWINGS 2-6-7 AND 2-6-8.



PUBLIC WORKS  
STANDARD DRAWING

MAINTENANCE HOLE APPURTENANCES  
STANDARD HEAVY DUTY FRAME AND COVER  
WITH INFLOW DISH OPTION

REV. DATE: MARCH 2017

REVISION NUMBER: FOR REVISION TRACKING REFER TO STD. DWG. 2-0-2

APPROVED BY: A.P.  
DRAWN BY: AINLEY GROUP

STD. DWG. NUMBER: 2-6-3  
SCALE: N.T.S.