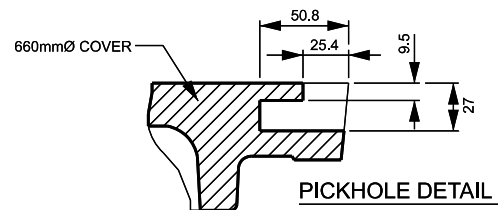
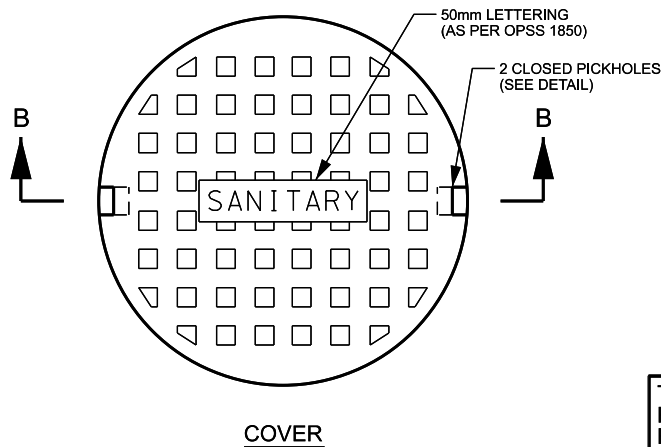
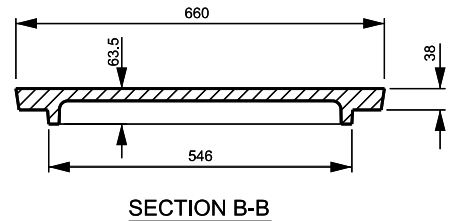
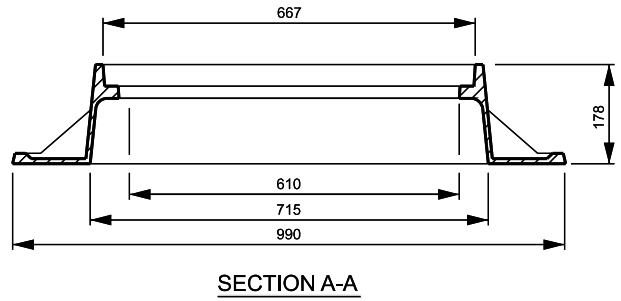
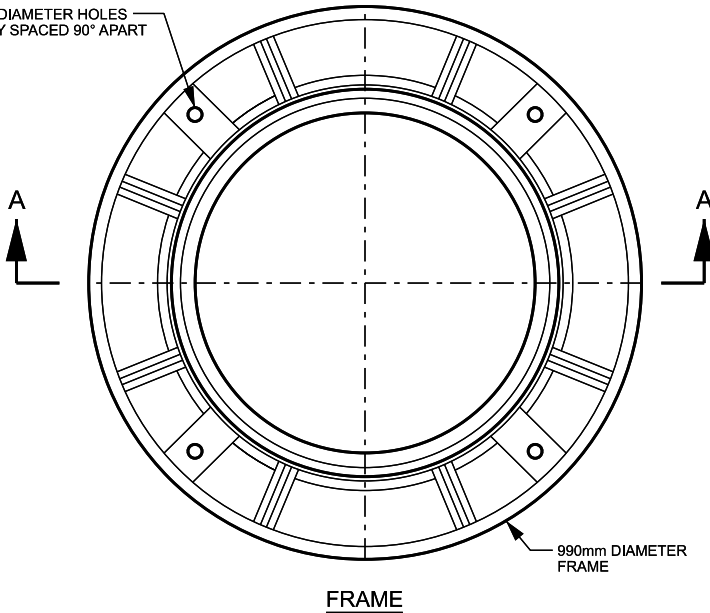


4-25mm DIAMETER HOLES
EQUALLY SPACED 90° APART



THIS FRAME AND COVER IS INTENDED TO BE UTILIZED FOR REPLACEMENT OF EXISTING CIRCULAR FRAME AND COVERS. REFER TO STANDARD DRAWING 2-6-2 FOR PREFERRED HEAVY DUTY 745mm CIRCULAR FRAME AND COVER.

NOTE: 660mm FRAME AND COVERS TO BE USED ON CHAMBERS WITH PIPE CONNECTIONS LESS THAN 600mm DIAMETER.

FRAME AND COVER IS BASED ON EJ CASTING MODEL 1040 FRAME AND MODEL 1040A COVER. ALTERNATE CIRCULAR FRAME AND COVER PRODUCT MAY BE PROVIDED WITH ENGINEER APPROVED EQUAL.

NOTE:
ALL SANITARY MAINTENANCE HOLE FRAME AND COVERS WITH NON-PENETRATING LIFT HOLES MUST HAVE COVER GASKETS. NO INFLOW REDUCTION DISHS ARE REQUIRED.

NOTE

- REFER TO STANDARD DRAWING 2-5-1, 2-7-1 AND 2-8-1 FOR GENERAL NOTES PERTAINING TO PRECAST MAINTENANCE HOLES.
- FRAME TO BE ATTACHED DIRECTLY TO PRECAST MAINTENANCE HOLE TOP. REFER TO STANDARD DRAWINGS 2-6-7 AND 2-6-8.

NEW CONSTRUCTION		REHABILITATION	
FULL EXCAVATION	PARTIAL EXCAVATION	NO EXCAVATION	
INTERNAL		EXTERNAL	
ROW	FLOOD PLAIN	EASEMENT	
I/I	H2S	SECURITY	



**PUBLIC WORKS
STANDARD DRAWING**

REV. DATE: DECEMBER 2023

REVISION NUMBER: 3	FOR REVISION TRACKING REFER TO STD. DWG. 2-0-2
APPROVED BY	DRAWN BY
L.L.	AINLEY GROUP
STD. DWG. NUMBER	SCALE
2-6-1	N.T.S.

**MAINTENANCE HOLE APPURTENANCES
HEAVY DUTY 660mm CIRCULAR
FRAME AND COVER**