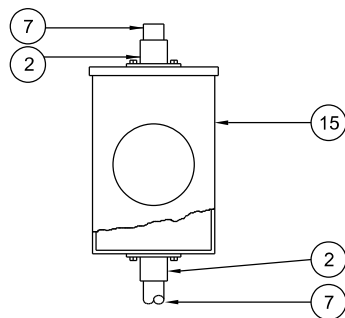


**UNDERGROUND SUPPLY
INSTALLATION**



**DETAIL OF METER BASE
INSTALLATION**

- ① BASE MOUNTED OCTAGONAL STEEL POLE (POWCO 8315) OR APPROVED EQUAL
- ② FEMALE ADAPTER & METALLIC CONDUIT NIPPLE (POLYMER TAPE OR TEFLON TAPE TO BE USED FOR NIPPLE ATTACHMENT) IN METER HUB, 50mm RIGID STEEL, C/W GASKET
- ③ SUPPLY CONTROL CABINET, SQUARE D, MODEL CQO18M100RB, OR APPROVED EQUAL, STRAPPED TO POLE
- ④ TERMINAL ADAPTER AND LOCKNUT, 25mm RIGID PVC
- ⑤ TERMINAL ADAPTER AND LOCKNUT, 50mm RIGID PVC
- ⑥ CONDUIT, 25mm RIGID PVC
- ⑦ CONDUIT, 50mm RIGID PVC
- ⑧ 90° SWEEP, 50mm RIGID PVC
- ⑨ ADAPTER COUPLING, 50mm
- ⑩ CONDUIT, 50mm, RIGID PVC, AS INDICATED IN CONTRACT DRAWINGS, TO TRAFFIC SIGNAL CONTROLLER OR MAINTENANCE HOLE/ HANDWELL
- ⑪ CONDUIT, 50mm RIGID PVC TO MAINTENANCE HOLE/ HANDWELL FOR STREETLIGHTING, IF REQUIRED.
- ⑫ GROUND WIRE, (NOTE 1)
- ⑬ COPPER CLAD GROUND ELECTRODE, (NOTE 1)
- ⑭ GROUND PLATE, (NOTE 1)
- ⑮ METER BASE, 100A, 600V (REQUIREMENT INDICATED)
- ⑯ CONDUIT, 50mm, RIGID PVC TO POWER SUPPLY POINT
- ⑰ "LB" ELBOW, 50mm RIGID PVC
- ⑱ 16mm STAINLESS STEEL STRAPPING, 1200mm SPACING MAXIMUM

NOTES:

1. 3.0m x 3.0m GROUND GRID CONSTRUCTED USING # 2/0 AWG BARE STRANDED COPPER GRD WIRE, 4-20mm x 3.0m COPPER CLAD GROUND RODS AND MOULDED TYPE CONNECTION. IN AREAS OF PROPERTY CONSTRAINT (4) RODS TO BE INSTALLED IN STRAIGHT LINE, 3.0m APART. GROUND PLATE (2) MAY BE SUBSTITUTED FOR GROUND RODS.
2. CO-ORDINATE CONNECTION WITH THE LOCAL HYDRO AUTHORITY, GIVING TWO WEEKS ADVANCE NOTICE ONCE THE NEW SERVICE HAS PASSED INSPECTION BY THE ELECTRICAL SAFETY AUTHORITY.
3. MOUNTING DETAILS SHOWN ARE TYPICAL ONLY AND SHALL BE ADAPTED TO SUIT SITE CONDITIONS AND THE LOCAL HYDRO AUTHORITY.

ALL DIMENSIONS IN MILLIMETRES
UNLESS OTHERWISE NOTED



**PUBLIC WORKS
STANDARD DRAWING**

REV. DATE: DECEMBER 2018

APPROVED BY

DRAWN BY

GK

TSS SECTION

STD. DWG. NUMBER

SCALE

4-1-3

N.T.S.

**MTO METERED UNDERGROUND POWER SUPPLY
STEEL POLE BASE MOUNTED
TRAFFIC SIGNAL & STREETLIGHT APPLICATION**